

Programming Challenge

Bull-in-the-Ring

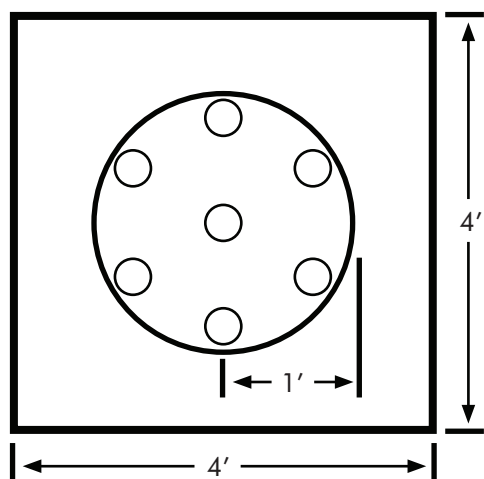
Challenge Description

Using the Remote Control to navigate your robot, push as many cans outside of the taped ring as possible within 10 seconds. After the 10 seconds have passed, the robot should automatically stop moving and responding to the Remote Control.

Materials Needed

- Black electrical tape
- Scissors (or cutting tool)
- 7 Soda cans

Board Specifications



Note: Diagrams are not drawn to scale