

## Motor Kit

### Continuous Rotation Motor Kit

Additional motors can be used to provide a robot with additional functionality; more motors means more features. For more information on the VEX Continuous Rotation Motors and how to use them within the VEX Robotics Design System, refer to the Motion section of the VEX Inventor's Guide.

**INSERT THIS PAGE**  
at the back of the  
**Motion** chapter in your  
Vex Inventor's Guide.

#### Motor Specs:

Free Speed	100 RPM @ 7.5 Volts
Stall Torque	6.5 in*lbs (approximately)
Stall Current	1.6 A (approximately)
Free Current	140 mA (approximately)

#### Notes:

- Each VEX Motor contains a thermal limiter which will "trip" when motor loading exceeds 1 Amp.
  - A cool motor that is loaded to a stall condition will trip in less than 30 seconds.
- Once tripped the thermal limiter will cut power to the motor until loading is completely removed and the motor is allowed to cool for at least a few seconds.
- Since this is a thermal limit, it will be easier to trip when it is hot. After it trips once, it will be easier to trip a second time.
  - Allow the motor to fully cool to maximize the time between trips.

#### Limited 90-day Warranty

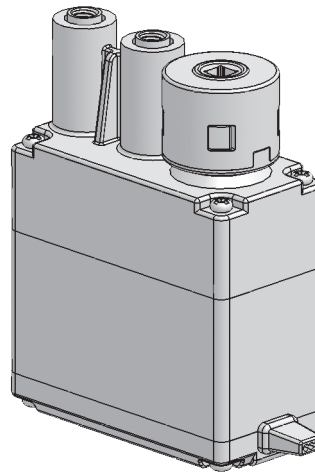
This product is warranted by Innovation First against manufacturing defects in material and workmanship under normal use for ninety (90) days from the date of purchase from authorized Innovation First dealers. For complete warranty details and exclusions, check with your dealer.

Innovation First, Inc.  
1519 IH 30 W  
Greenville, TX 75402

06/08

For More Information, and additional Parts & Pieces refer to:  
[www.VexRobotics.com](http://www.VexRobotics.com)

Motor with Clutch x 1



Screw  
6-32 x 1/2" x 2



Screw  
6-32 x 1/4" x 2



Clutch Post x 1



Replacement Gears x 2

