

servomotor kit

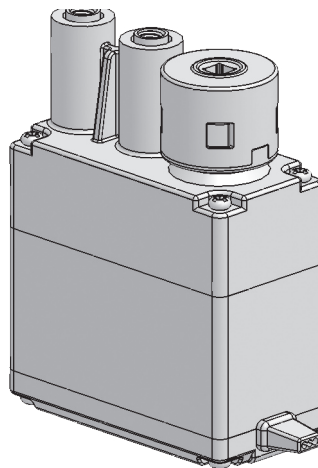
Servomotor

As explained in the Motion Subsystem section of the Inventor's Guide, servomotors are a type of motor that can be directed to turn to face a specific direction, rather than just spin forward or backward.

INSERT THIS PAGE
at the **back of the Motion Chapter** in your Vex Inventor's Guide.

Accessories

servomotor x 1



screw 6-32 x 1/2" x 2



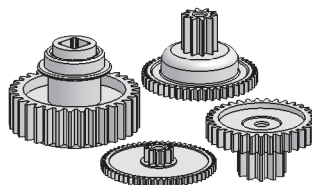
screw 6-32 x 1/4" x 2



clutch post x 1



replacement gears x 2



Limited 90-day Warranty

This product is warranted by Innovation One against manufacturing defects in material and workmanship under normal use for ninety (90) days from the date of purchase from authorized Innovation One dealers. For complete warranty details and exclusions, check with your dealer.

Innovation One, Inc.
350 North Henderson Street
Fort Worth, TX 76102

11/04

Printed in China

0105

